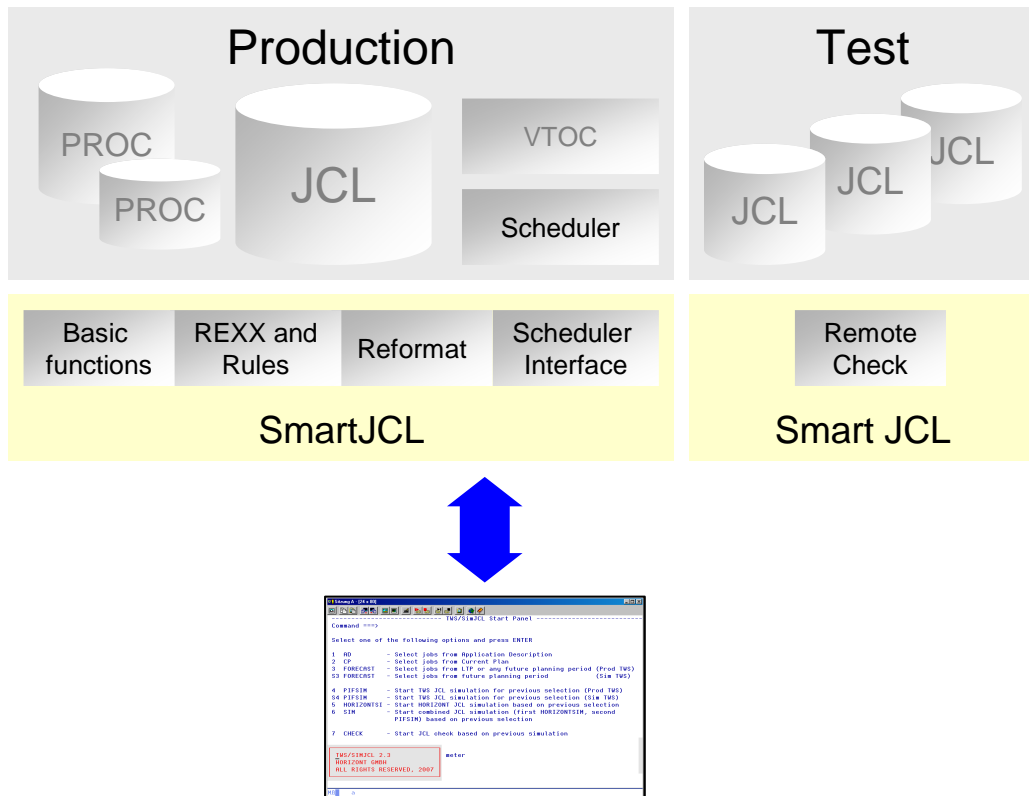


SmartJCL

The Easy Way to Faultless JCL

Despite all predictions to the contrary, the number of mainframe jobs continues to grow. As a result, old JCL has to be modified and new JCL has to be created. But production JCL cannot easily be tested – and that's a problem.

→ The upshot of this is that any modified JCL is a potential cause of *production* errors. SmartJCL eliminates problems at the source, thus *dramatically* reducing the number of abends.



Some of the additional benefits of SmartJCL are integrated scheduler interfaces, a powerful reformat function, remote check feature and a REXX interface that allows you to adapt the product easily to your special needs.

SmartJCL
The Easy Way to Faultless JCL

→ You need a cost effective JCL checker that validates your JCL at an affordable price. No more and no less. That JCL checker is SmartJCL.

HORIZONT
Software for Datacenters

Garmischer Str. 8
D-80339 München
Tel. ++49 (0) 89 / 540 162 - 0
www.horizont-it.com

SmartJCL

The Easy Way to Faultless JCL

Area of Application

SmartJCL is the JCL checker for all Datacenters that want to reduce typical JCL mistakes such as:

- Syntax errors
- Missing files, programs and procedures
- Errors caused by incorrect scheduler variables

Data Sources

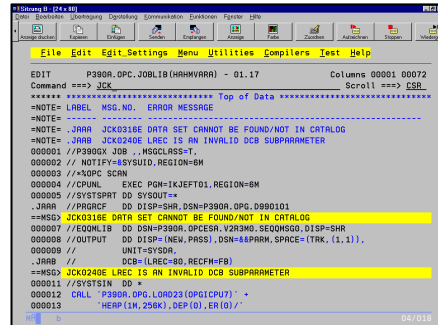
SmartJCL analyzes JCL and all relevant components:

- Procedures
- Symbolic parameters
- Utility statements
- DASD and UNIT availability
- Dataset availability
- Scheduler variables

Additional Features

In addition to JCL validation, SmartJCL:

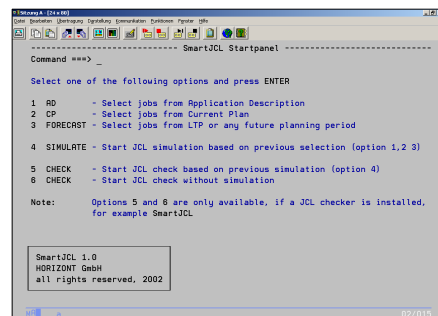
- Simulates catalog actions.
- Substitutes scheduler variables with the correct values.
- Remote check to check JCL on another system
- Validation of site specific standards by using the REXX interface.
- Generate REXX to check standards by using an ISPF dialog
- Formats and changes JCL automatically according to site standards, e.g. alignments of parameters.



```
EDIT P390A.OPC.JOBLIB (HRHMVRRR) - 01.17 Column 00001 00072
Command ==> JCL
===== Top of Data =====
=NOTE= LABEL MSG.NO. ERROR MESSAGE
=NOTE= ..... JCK0318E DATA SET CANNOT BE FOUND/NOT IN CATALOG
=NOTE= .JARR JCK0240E LREC IS AN INVALID DCB SUBPARAMETER
=NOTE= .JARR JCK0240E LREC IS AN INVALID DCB SUBPARAMETER
000001 //P3900X JOB .,MSGCLASS=T,
000002 // NOTIFY=&SYSUID,REGION=M
000003 //*0PC SCRN
000004 //CPULN EXEC PGM=IKJEFT01,REGION=M
000005 //SYSTSPRT DD SYSOUT=*
000006 .JARR //PRGRFC DD DISP=SHR,DSN=P390A.OPC.D990101
==MSGD JCK0318E DATA SET CANNOT BE FOUND/NOT IN CATALOG
000007 //COURLIB DD DSN=P390A.SPICSA.V2990.SICQSGS,DISP=SHR
000008 //OUTPUT DD DISP=(NEW,PRES),DSN=84PARH,SPACE=(TRK,(1,1)),
000009 // UNIT=SYSDR,
000010 .JARR // DCB=(LREC=SG,RECFM=FB)
==MSGD JCK0240E LREC IS AN INVALID DCB SUBPARAMETER
000011 //SYSTSIN DD *
000012 CHL P390A.OPC.L0022(SPG1CRU7) *
000013 HSP(1M,25K)_DEF(0)_ER(0)/*
```

Edit Macro Interface

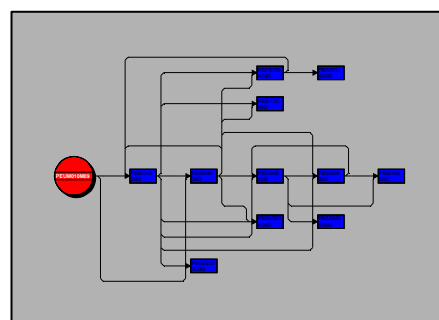
SmartJCL can be invoked from the ISPF editor. Possible errors are highlighted as "NOTE" lines.



```
SmartJCL Startpanel
-----
Command ==> _
Select one of the following options and press ENTER
1 RD - Select jobs from Application Description
2 CP - Select jobs from Current Plan
3 FORECAST - Select jobs from LTP or any future planning period
4 SIMULATE - Start JCL simulation based on previous selection (option 1,2,3)
5 CHECK - Start JCL check based on previous simulation (option 4)
6 CHECK - Start JCL check without simulation
Note: Options 5 and 6 are only available, if a JCL checker is installed,
for example SmartJCL
SmartJCL 1.0
HORIZONT GmbH
all rights reserved, 2002
```

Scheduler Interface

SmartJCL has interfaces to TWS (Tivoli Workstation Scheduler) and Control-M. Jobs to be checked can be selected by scheduler specific values such as application, owner or workstation.



Checking Job Streams

SmartJCL can check complex job streams. Catalog actions can be simulated in advance, thus avoiding conflicting disposition parameters.